

# OWN DESIGNED GEARBOXES

## Production Process & Equipment



Assembly line (1)



Assembly line (2)



Tooth profile processing



Tooth profile processing



Heat treatment



Laser welding

## Measurement & Laboratory



CMM





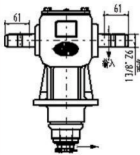
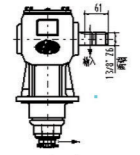
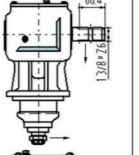
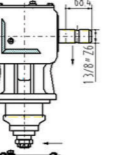
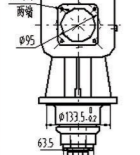
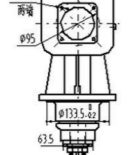
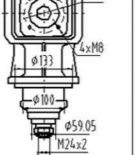
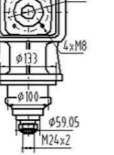
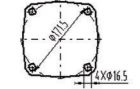
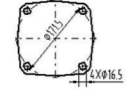
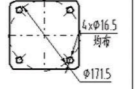

Rotary tiller gearbox series				
CODE	XH30. 290Z. 01W	XHX40. 146J. 01	XHX40. 171J. 01/XHX40. 181J. 01	XH60. 001/002/003/004/005-1500
<b>Power</b>	30HP	40HP	40HP	50HP
<b>Ratios</b>	1:2.9	1.46:1	1.71:1/1.81:1	1.69:1
<b>Input p.n</b>	540	540	540	540
<b>Weight</b>	16KG	32KG	32KG	41KG



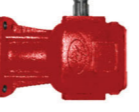

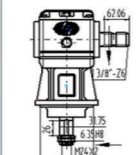
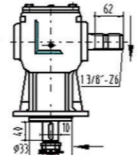
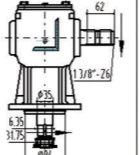
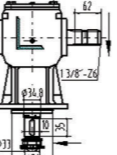
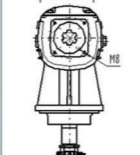
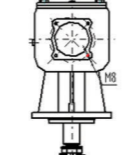
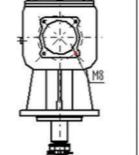
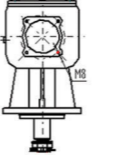
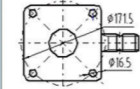
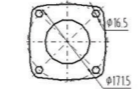
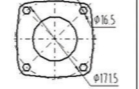
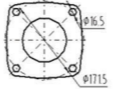
Rotary tiller gearbox series		
CODE	XH60	XH60. 192Z. 1090
<b>Power</b>	60HP	60HP
<b>Ratios</b>	1.92:1	1.92:1
<b>Input p.n</b>	1000	1000
<b>Weight</b>	40KG	46KG

Stubble cleaner gearbox series				
CODE	XH23. 146J. 02W	XH40. 146J. 02W/XH40. 192Z. 02W	XH40. 146J. 04W/XH40. 192Z. 04W	XH45. 192J. 04W
<b>Power</b>	23HP	40HP	40HP	45HP
<b>Ratios</b>	1.46:1	1.46:1/1.92:1	1.46:1/1.92:1	1.92:1
<b>Input p.n</b>	540	540	540	540
<b>Weight</b>	7.2KG	22KG	22KG	23KG



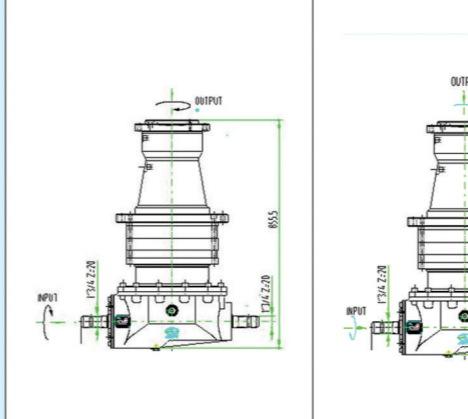
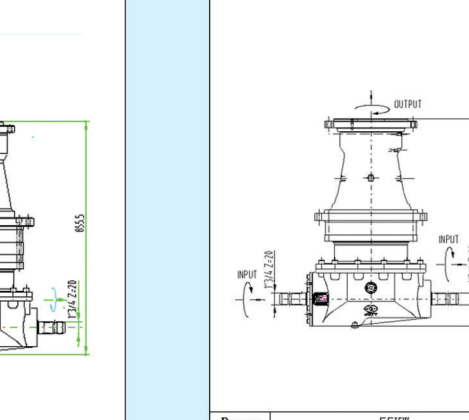
Mower gearbox series			
CODE	JDJ30	XH50. 177Z. 12L	XH50. 100Z. 01L/XH50. 147Z. 01L/XH50. 169Z. 01L/XH50. 177Z. 01L/XH50. 215Z. 01L
<b>Power</b>	30HP	50HP	50HP
<b>Ratios</b>	1:1.47/1:1.99	1:1.47/1:1.46/1:1.69/1:1.92/1:1.97/1:2.1	1:1.77
<b>Input p.n</b>	540	540	540
<b>Weight</b>	32KG	29KG	29KG



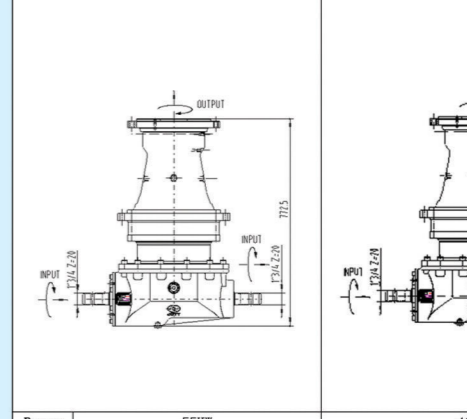
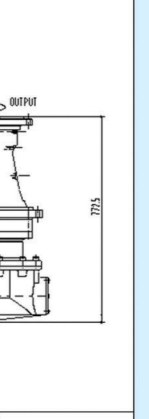
# OWN DESIGNED GEARBOXES




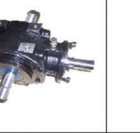
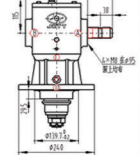
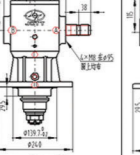
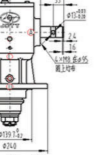
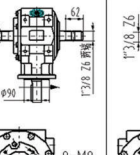
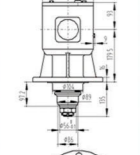
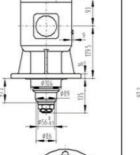

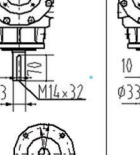




Mower gearbox series			
CODE	XH30.147Z.01L XH30.192Z.01L	XH30.147Z.01L XH30.192Z.01L	XH40.192Z.01L XH40.192Z.03L
			
			
			
			
<b>Power</b>	30HP	30HP	40HP
<b>Ratios</b>	1:1.47/1:1.92	1:1.47/1:1.92	1:1.92
<b>Input p.n</b>	540	540	540
<b>Weight</b>	15.5+1.35KG	15+1.35KG	22+1.8KG




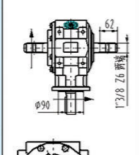
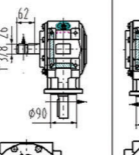

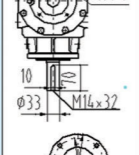
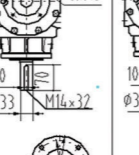




Mower gearbox series			
CODE	XH30.283Z.01L	XH30.283Z.11L	XH30.283Z.03L
			
			
			
			
<b>Power</b>	21HP	30HP	30HP
<b>Ratios</b>	1:2.83/1:2.5	1:2.83	1:2.83
<b>Input p.n</b>	540	540	540
<b>Weight</b>	15KG	16KG	17KG




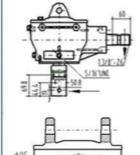
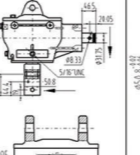

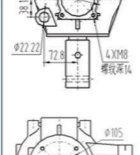
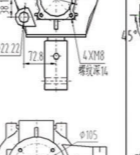




# OWN DESIGNED GEARBOXES


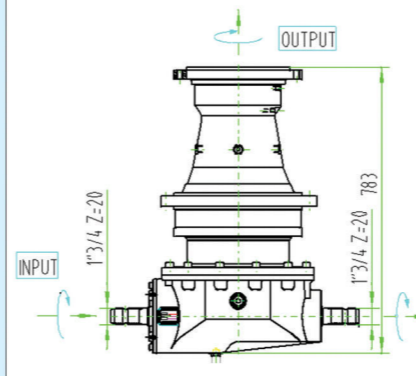
Agitator gearbox series	
CODE	XHG01.51000.08 XHG01.51000.17
	
	
<b>Ratios</b>	28.321:1
<b>Input p.n</b>	1000
<b>Weight</b>	290Kg

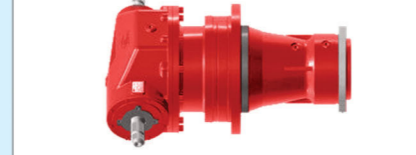
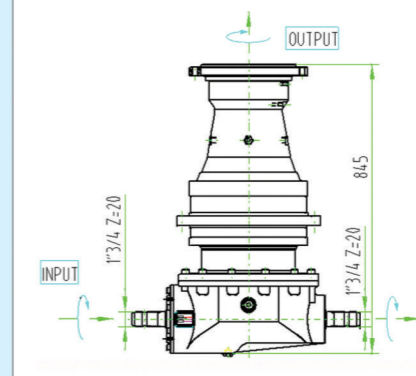
Agitator gearbox series	
CODE	XHG01.51000.12 XHG01.51000.16
	
	
<b>Power</b>	55KW
<b>Ratios</b>	16.13:1
<b>Input p.n</b>	540
<b>Weight</b>	256Kg


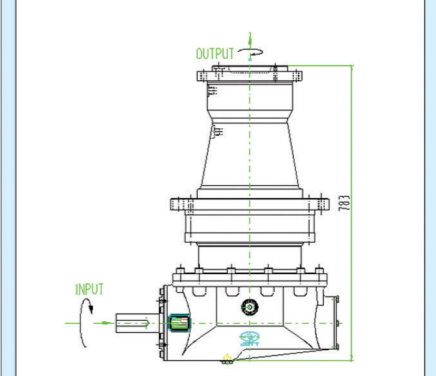
Mower gearbox series			
CODE	XH60.124J.01L	XH60.150Z.01L/01L XH60.150Z.02L/02L XH60.127Z.02L/02L	XH60.150Z.02L/02L XH60.127Z.02L/02L
			
			
			
			
<b>Power</b>	60HP	60HP	60HP
<b>Ratios</b>	1.23:1	1:1.5/1:1.93/1:1.26	1:1.5/1:1.26
<b>Input p.n</b>	1000	540	540
<b>Weight</b>	28.5KG	28.5KG	28.5KG

Mower gearbox series		
CODE	XH50.300Z.01W	XH50.300Z.03W
		
		
		
		
<b>Power</b>	50HP	50HP
<b>Ratios</b>	1:3	1:3
<b>Input p.n</b>	540	540
<b>Weight</b>	20.5KG	20KG

Excavator gearbox series			
CODE	XH20.300J.12	XH20.300J.02	XH27.318J.00
			
			
			
			
<b>Power</b>	20HP	20HP	
<b>Ratios</b>	3:1	3:1	
<b>Input p.n</b>	540	540	
<b>Weight</b>	16.5KG	16KG	

Agitator gearbox series	
CODE	XHG01.51000.05
	
<b>Power</b>	76KW
<b>Ratios</b>	13.4:1
<b>Input p.n</b>	540
<b>Weight</b>	280Kg

Agitator gearbox series	
CODE	XHG01.51000.07
	
<b>Power</b>	73KW
<b>Ratios</b>	25.89:1
<b>Input p.n</b>	1000
<b>Weight</b>	290Kg

Agitator gearbox series	
CODE	XHG01.51000.09
	
<b>Ratios</b>	18.2:1
<b>Input p.n</b>	1000
<b>Weight</b>	250Kg

# OWN DESIGNED GEARBOXES

Agitator gearbox series

CODE	XHG01.51000.00	XHG01.51000.01	XHG01.51000.03	XHG01.51000.04
<b>Power</b>	32KW	76KW	42KW	68KW
<b>Ratios</b>	21.1:1	13.4:1	18.2:1	13.4:1
<b>Input r.p.m</b>	540			
<b>Weight</b>	256Kg	290Kg	256Kg	256Kg

Agitator gearbox series

CODE	XHG01.51000.10	XHG01.51000.11
<b>Ratios</b>	21.1:1	13.4:1
<b>Input r.p.m</b>	540	
<b>Weight</b>	250Kg	

Agitator gearbox series

CODE	XH75.108J.04W
<b>Power</b>	75HP
<b>Input r.p.m</b>	540
<b>Weight</b>	107+18.5+4.2KG

Agitator gearbox series

CODE	XHG01.51000.02	XHG01.51000.06	XHG01.51000.13	XHG01.51000.14
<b>Power</b>	73KW		67KW	
<b>Ratios</b>	25.89:1		28.321:1	
<b>Input r.p.m</b>	1000			
<b>Weight</b>	290Kg			

Agitator gearbox series

CODE	XHG01.51000.15	XHG01.51000.18	XHG01.51000.19
<b>Power</b>	76KW		56KW
<b>Ratios</b>	13.4:1	13.4:1	16.13:1
<b>Input r.p.m</b>	540		
<b>Weight</b>	256Kg	250Kg	256Kg

Agitator gearbox series


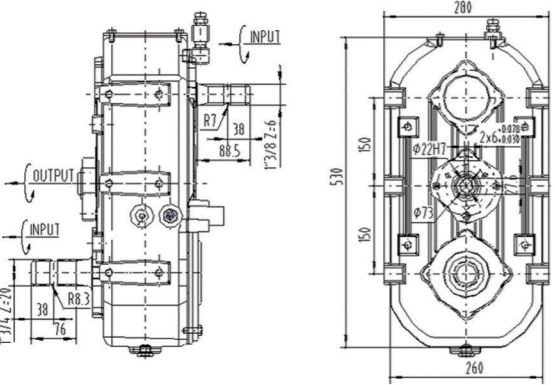
CODE	XHG02.51000.00
<b>Power</b>	54KW
<b>Ratios</b>	1.565:1
<b>Input r.p.m</b>	540
<b>Weight</b>	62Kg


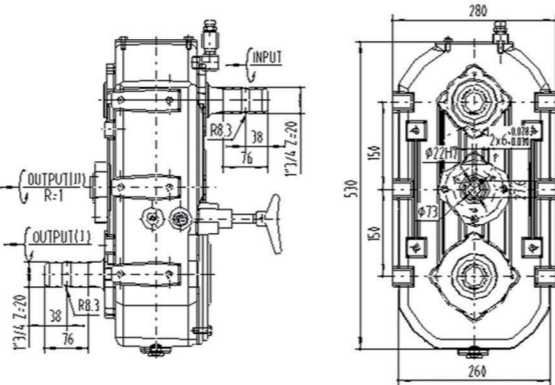
Agitator gearbox series


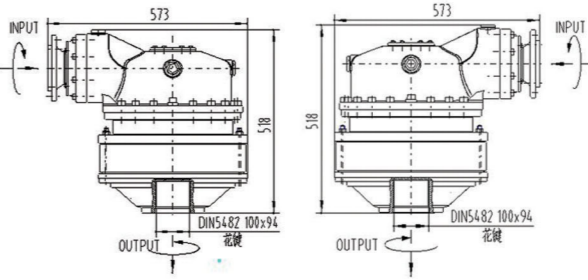
CODE	XHG02.51000.01
<b>Power</b>	54KW
<b>Ratios</b>	1.565:1
<b>Input r.p.m</b>	540
<b>Weight</b>	65Kg


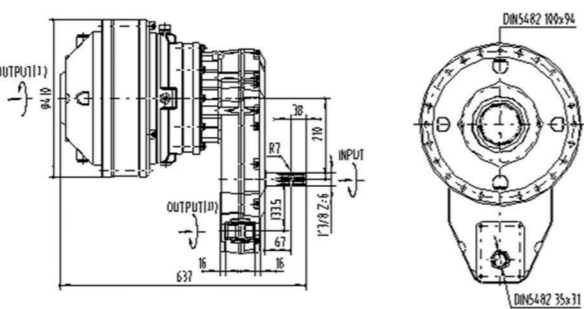
# OWN DESIGNED GEARBOXES


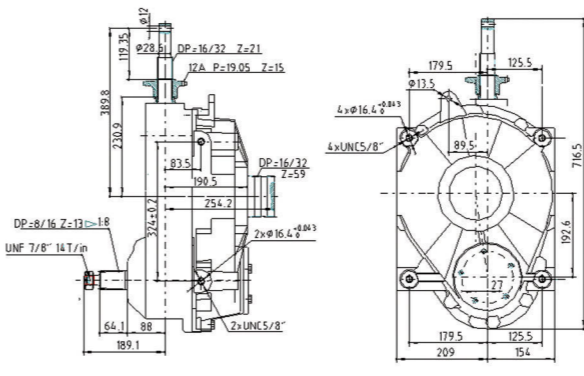
# OWN DESIGNED GEARBOXES


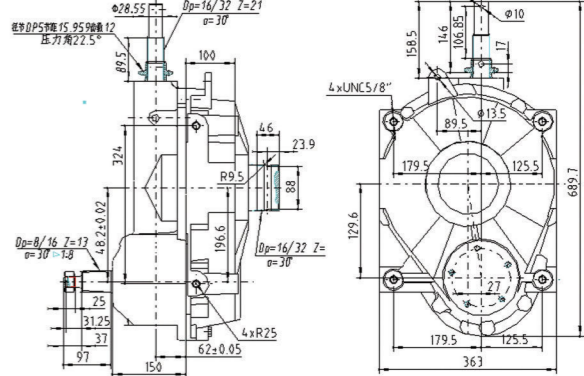
Agitator gearbox series	
CODE	XHG02.51000.04
	
	
Power	85KW
Ratios	1:1
Input r.p.m.	540
Weight	62Kg

Agitator gearbox series				
CODE	XHG02.51000.02	XHG02.51000.03	XHG02.51000.05	XHG02.51000.06
				
				
Ratios	1.565:1	1.84:1	1.4:1	
Input r.p.m.	540			
Weight	63Kg			

Agitator gearbox series		
CODE	XHG30.27000.00L/O1L	XHG30.27000.00R/O1R
		
		
Power	92KW	
Ratios	27:1	
Input r.p.m.	700	
Weight	222Kg	

Agitator gearbox series	
CODE	XHG03.51000.00
	
	
Power	37KW
Ratios	45.45:1
Input r.p.m.	540
Weight	235Kg

Bundle machine transmission gearbox series	
CODE	XH100.583J.00
	
	
Power	60HP
Ratios	5.83:1
Input r.p.m.	500RPM
Weight	110Kg

Bundle machine transmission gearbox series	
CODE	XH100.687J.00
	
	
Power	60HP
Ratios	6.875:1
Input r.p.m.	500RPM
Weight	110Kg